

405

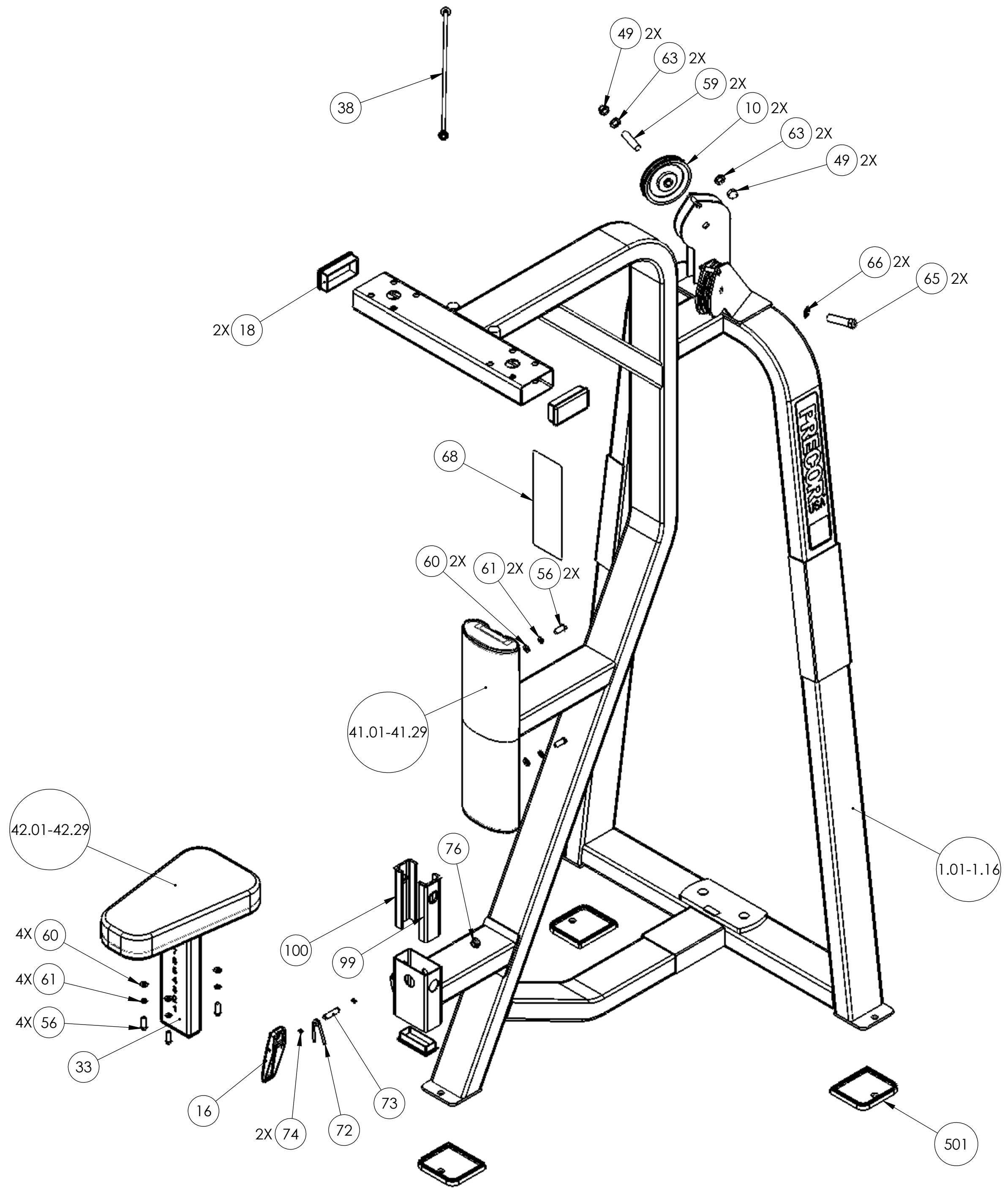
P/N : CW31517-102

SUBREV : B01

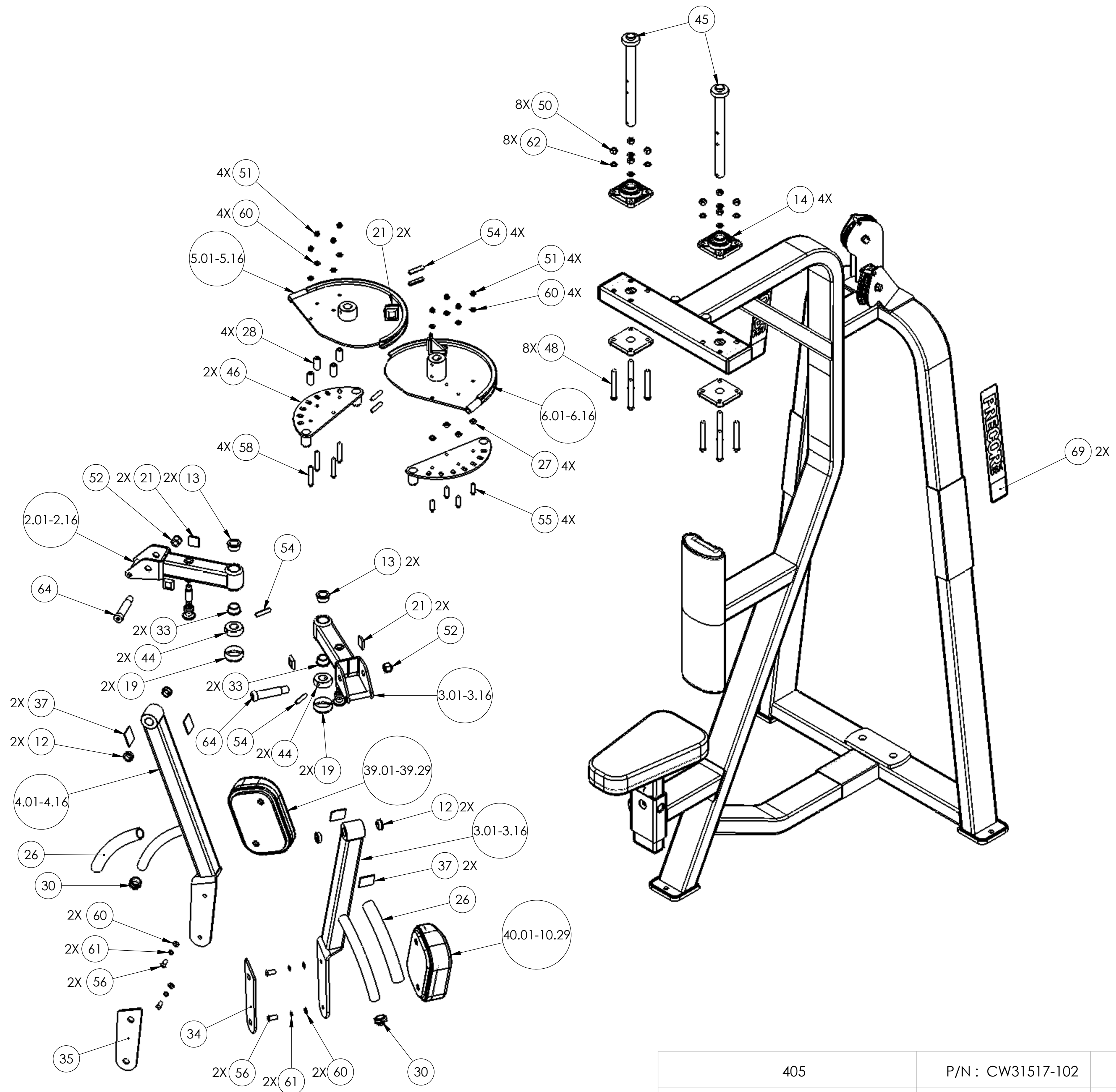
DRAWN BY : JEC

DATE : 02.22.08

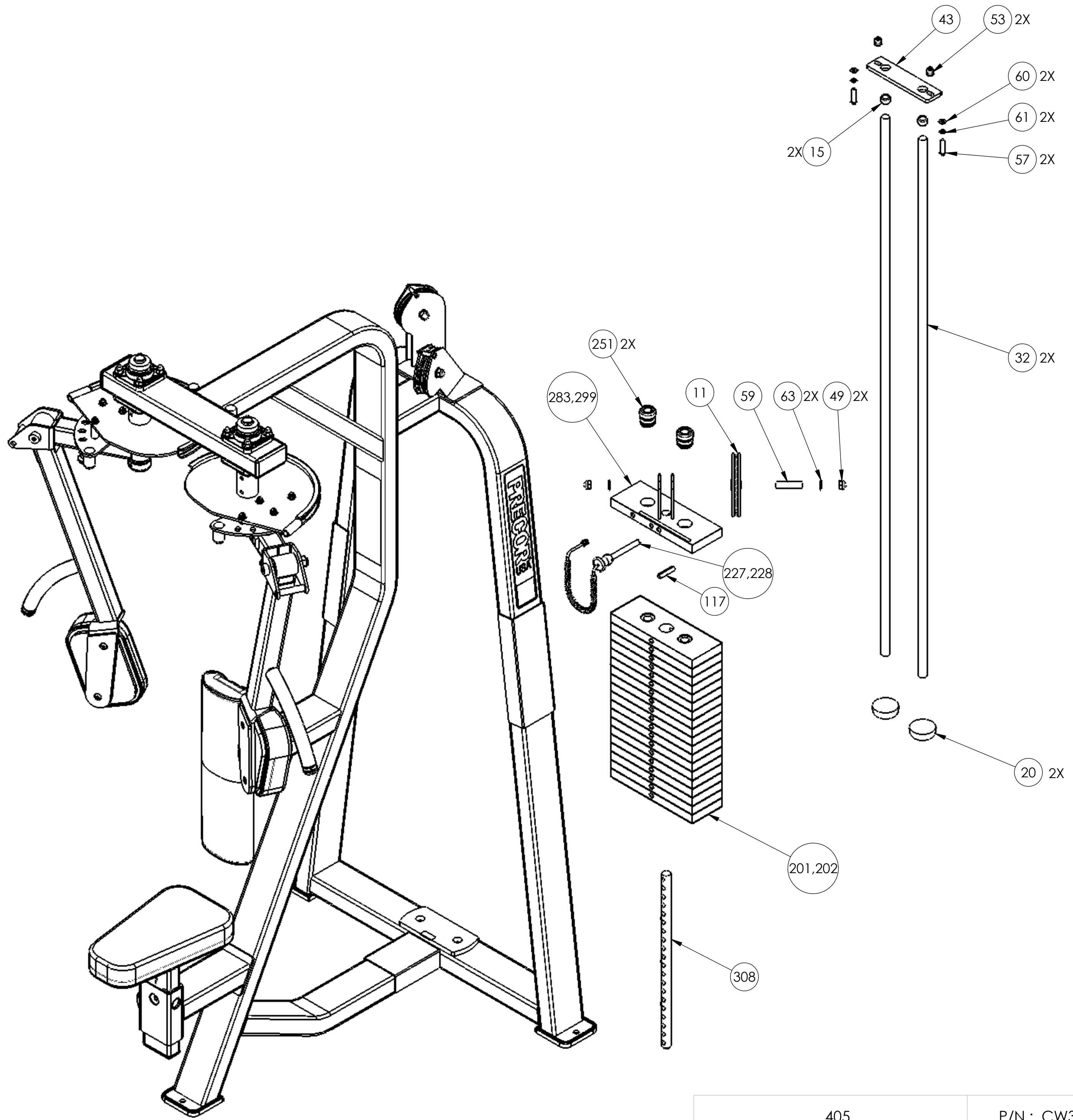
SHEET 1 OF 4



405	P/N : CW31517-102	SUBREV : B01
DRAWN BY : JEC	DATE : 02.22.08	SHEET 2 OF 4



405	P/N : CW31517-102	SUBREV : B01
DRAWN BY : JEC	DATE : 02.22.08	SHEET 3 OF 4



405	P/N : CW31517-102	SUBREV : B01
DRAWN BY : JEC	DATE : 02.22.08	SHEET 4 OF 4

405 Vertical Pec Deck

Part Number	Description	Bubble Number
CW405SA6-211	ASSY,MAIN FRAME,405,SKY WHITE	1.01
CW405SA6-212	ASSY,MAIN FRAME,405,SKY WHITE	1.01
CW405SA6-221	ASSY,MAIN FRAME,405,BLACK	1.02
CW405SA6-231	ASSY,MAIN FRAME,405,RED	1.03
CW405SA6-241	ASSY,MAIN FRAME,405,PLATINUM SPRKL	1.04
CW405SA6-251	ASSY,MAIN FRAME,405,SILVER	1.05
CW405SA6-261	ASSY,MAIN FRAME,405,BLUE	1.06
CW405SA6-271	ASSY,MAIN FRAME,405,CHARCOAL	1.07
CW405SA6-281	ASSY,MAIN FRAME,405,CATHEDRAL GREY	1.08
CW405SA6-291	ASSY,MAIN FRAME,405,SILVER VIEN	1.09
CW405SA6-312	ASSY,MAIN FRAME,405,STONE HG	1.11
CW405SA6-321	ASSY,MAIN FRAME,405, TITANIUM HG	1.12
CW405SA6-322	ASSY,MAIN FRAME,405, TITANIUM HG	1.12
CW405SA6-331	ASSY,MAIN FRAME,405, WHITE GLOSS	1.13
CW405SA6-341	ASSY,MAIN FRAME,405, BLACK ONYX	1.14
CW405SA6-351	ASSY,MAIN FRAME,405, LIGHT BRONZE	1.15
CW405SA6-361	ASSY,MAIN FRAME,405, SAPPHIRE BLUE	1.16
CW405SA1-211	ASSY,ARM,UPPER,405,SKY WHITE	2.01
CW405SA1-221	ASSY,ARM,UPPER,405,BLACK	2.02
CW405SA1-231	ASSY,ARM,UPPER,405,RED	2.03
CW405SA1-241	ASSY,ARM,UPPER,405,PLAT SPKLE	2.04
CW405SA1-251	ASSY,ARM,UPPER,405,SILVER	2.05
CW405SA1-261	ASSY,ARM,UPPER,405,BLUE	2.06
CW405SA1-271	ASSY,ARM,UPPER,405,CHARCOAL	2.07
CW405SA1-281	ASSY,ARM,UPPER,405,CATH GRY	2.08
CW405SA1-291	ASSY,ARM,UPPER,405,SILVER VIEN	2.09
CW405SA1-311	ASSY,ARM,UPPER,405,STONE HG	2.11
CW405SA1-321	ASSY,ARM,UPPER,405,TITANIUM HG	2.12
CW405SA1-331	ASSY,ARM,UPPER,405,WHITE GLOSS	2.13
CW405SA1-341	ASSY,ARM,UPPER,405,BLACK ONYX	2.14
CW405SA1-351	ASSY,ARM,UPPER,405,LIGHT BRONZE	2.15
CW405SA1-361	ASSY,ARM,UPPER,405,SAPPHIRE BLUE	2.16
CW405SA2-211	ASSY,ARM,LEFT,405,SKY WHITE	3.01
CW405SA2-221	ASSY,ARM,LEFT,405,BLACK	3.02
CW405SA2-231	ASSY,ARM,LEFT,405,RED	3.03
CW405SA2-241	ASSY,ARM,LEFT,405,PLAT SPKLE	3.04
CW405SA2-251	ASSY,ARM,LEFT,405,SILVER	3.05
CW405SA2-261	ASSY,ARM,LEFT,405,BLUE	3.06
CW405SA2-271	ASSY,ARM,LEFT,405,CHARCOAL	3.07
CW405SA2-281	ASSY,ARM,LEFT,405,CATH GRY	3.08
CW405SA2-291	ASSY,ARM,LEFT,405,SILVER VIEN	3.09
CW405SA2-311	ASSY,ARM,LEFT,405,STONE HG	3.11
CW405SA2-321	ASSY,ARM,LEFT,405,TITANIUM HG	3.12
CW405SA2-331	ASSY,ARM,LEFT,405,WHITE GLOSS	3.13
CW405SA2-341	ASSY,ARM,LEFT,405,BLACK ONYX	3.14
CW405SA2-351	ASSY,ARM,LEFT,405,LIGHT BRONZE	3.15
CW405SA2-361	ASSY,ARM,LEFT,405,SAPPHIRE BLUE	3.16
CW405SA3-211	ASSY,ARM,RIGHT,405,SKY WHITE	4.01

CW405SA3-221	ASSY,ARM,RIGHT,405,BLACK	4.02
CW405SA3-231	ASSY,ARM,RIGHT,405,RED	4.03
CW405SA3-251	ASSY,ARM,RIGHT,405,SILVER	4.05
CW405SA3-261	ASSY,ARM,RIGHT,405,BLUE	4.06
CW405SA3-271	ASSY,ARM,RIGHT,405,CHARCOAL	4.07
CW405SA3-281	ASSY,ARM,RIGHT,405,CATH GRY	4.08
CW405SA3-291	ASSY,ARM,RIGHT,405,SILVER VIEN	4.09
CW405SA3-311	ASSY,ARM,RIGHT,405,STONE HG	4.11
CW405SA3-321	ASSY,ARM,RIGHT,405,TITANIUM HG	4.12
CW405SA3-331	ASSY,ARM,RIGHT,405,WHITE GLOSS	4.13
CW405SA3-341	ASSY,ARM,RIGHT,405,BLACK ONYX	4.14
CW405SA3-351	ASSY,ARM,RIGHT,405,LIGHT BRONZE	4.15
CW405SA3-361	ASSY,ARM,RIGHT,405,SAPPHIRE BLUE	4.16
CW405SA4-211	ASSY,RIGHT CAM,405,SKY WHITE	5.01
CW405SA4-221	ASSY,RIGHT CAM,405,BLACK	5.02
CW405SA4-231	ASSY,RIGHT CAM,405,RED	5.03
CW405SA4-241	ASSY,RIGHT CAM,405,PLATINUM SPRKL	5.04
CW405SA4-251	ASSY,RIGHT CAM,405,SILVER	5.05
CW405SA4-261	ASSY,RIGHT CAM,405,BLUE	5.06
CW405SA4-271	ASSY,RIGHT CAM,405,CHARCOAL	5.07
CW405SA4-281	ASSY,RIGHT CAM,405,CATHEDRAL GREY	5.08
CW405SA4-291	ASSY,RIGHT CAM,405,SILVER VIEN	5.09
CW405SA4-311	ASSY,RIGHT CAM,405,STONE HG	5.11
CW405SA4-321	ASSY,RIGHT CAM,405,TITANIUM HG	5.12
CW405SA4-331	ASSY,RIGHT CAM,405,WHITE GLOSS	5.13
CW405SA4-341	ASSY,RIGHT CAM,405,BLACK ONYX	5.14
CW405SA4-351	ASSY,RIGHT CAM,405,LIGHT BRONZE	5.15
CW405SA4-361	ASSY,RIGHT CAM,405,SAPPHIRE BLUE	5.16
CW405SA5-211	ASSY,LEFT CAM,405,SKY WHITE	6.01
CW405SA5-221	ASSY,LEFT CAM,405,BLACK	6.02
CW405SA5-231	ASSY,LEFT CAM,405,RED	6.03
CW405SA5-241	ASSY,LEFT CAM,405,PLATINUM SPRKL	6.04
CW405SA5-251	ASSY,LEFT CAM,405,SILVER	6.05
CW405SA5-261	ASSY,LEFT CAM,405,BLUE	6.06
CW405SA5-271	ASSY,LEFT CAM,405,CHARCOAL	6.07
CW405SA5-281	ASSY,LEFT CAM,405,CATHEDRAL GREY	6.08
CW405SA5-291	ASSY,LEFT CAM,405,SILVER VIEN	6.09
CW405SA5-311	ASSY,LEFT CAM,405,STONE HG	6.11
CW405SA5-321	ASSY,LEFT CAM,405,TITANIUM HG	6.12
CW405SA5-331	ASSY,LEFT CAM,405,WHITE GLOSS	6.13
CW405SA5-341	ASSY,LEFT CAM,405,BLACK ONYX	6.14
CW405SA5-351	ASSY,LEFT CAM,405,LIGHT BRONZE	6.15
CW405SA5-361	ASSY,LEFT CAM,405,SAPPHIRE BLUE	6.16
CW30038-101	LABEL,INSTRUCTION,405	7
CWAC1001-101	LABEL,"ICARIAN", 1 1/2 X 8 1/8	8
CWAC1002-101	LABEL,"ICARIAN", 3 X 16 3/8	9
CWAC1009-101	PULLEY, 4 1/2 DIA X 1/2 ID	10
CWAC1010-101	PULLEY, 6 DIA X 1/2 ID	11
CW10043-133	BUSHING, BRONZE, 3/4" ID X 1" OD	12
CW10043-134	BUSHING, BRONZE, 1" ID X 1 1/4" OD	13
CW12405-101	PILLOW BLOCK, BEARING, FLANGE, 4 BO	14

CW12404-101	CAP, GUIDE ROD,DIA 3/4, BLK	15
CW32460-221	ASSY, RATCHETING LEVER, BLACK	16
CW30501-752	ASSY, POP PIN, LONG, 0.450 DIA NOSE	17
CW11311-102	ENDCAP, REC TUBE, 2X4, BLK PLASTIC	18
CW10514-102	CAP, VINYL DIP MOLDED, DIA 2.00	19
CW12402-101	BUMPER, ID 1.050, BLK RUBBER	20
CW12575-101	MOULDED BUMPON, BLACK, 31.75MM SQ (21
CW34822-101	LABEL, "ASSEMBLED IN THE USA"	22
CWAC1161-101	LABEL, ROUND, "MADE IN USA"	22
CWAC1183-101	LABEL, WARNING, SERIOUS INJURY	24
CWGR4610-000	GRIP, RUBBER, 1.00" OD HANDLE, 10.0	26
CWAC1228-901	SPACER, ALU,.328 ID X .625 OD X .25	27
CWAC1229-901	SPACER, ALU,.328 ID X .625 OD X 1.5	28
CWAC218-901	HANDLE END CAP W/SET SCREWS, DIA 1"	30
CWPF1216-711	GUIDE ROD,3/4 X (62 5/8), (#6), CHM	32
CW32535-711	ASSEMBLY, SEAT ADJUSTMENT, 8 HOLE,	33
CWCP1044-101	CUT PIECE, CREPE, 1/4 X 3 X 9 1/4,	34
CWCP1044-102	CUT PIECE, CREPE, 1/4 X 3 X 9 1/4,	35
CW30012-103	CUT PIECE, ABS BLACK, 1/8 X 1 3/4 X	37
CWCLHH178-500	ASSY, CABLE, 405, 505	38
CWPD1122LB-101	PAD,6X9,2HLS,LEFT,W/BP,BLACK	39.01
CWPD1122LB-102	PAD,6X9,2HLS,LEFT,W/BP,RYL BL	39.02
CWPD1122LB-103	PAD,6X9,2HLS,LEFT,W/BP,DVE GRY	39.03
CWPD1122LB-104	PAD,6X9,2HLS,LEFT,W/BP,CROCUS	39.04
CWPD1122LB-105	PAD,6X9,2HLS,LEFT,W/BP,GROTTO	39.05
CWPD1122LB-106	PAD,6X9,2HLS,LEFT,W/BP,GRAPHITE	39.06
CWPD1122LB-107	PAD,6X9,2HLS,LEFT,W/BP,RED	39.07
CWPD1122LB-108	PAD,6X9,2HLS,LEFT,W/BP,CHN GRN	39.08
CWPD1122LB-109	PAD,6X9,2HLS,LEFT,W/BP,TURQSE	39.09
CWPD1122LB-111	PAD,6X9,2HLS,LEFT,W/BP,PLUM	39.11
CWPD1122LB-112	PAD,6X9,2HLS,LEFT,W/BP,REGIMENT	39.12
CWPD1122LB-113	PAD,6X9,2HLS,LEFT,W/BP,SPC BLUE	39.13
CWPD1122LB-115	PAD,6X9,2HLS,LEFT,W/BP,BLK LTHR	39.15
CWPD1122LB-116	PAD,6X9,2HLS,LEFT,W/BP,NVBL LTH	39.16
CWPD1122LB-117	PAD,6X9,2HLS,LEFT,W/BP,PUTTY	39.17
CWPD1122LB-118	PAD,6X9,2HLS,LEFT,W/BP,IMPRL BL	39.18
CWPD1122LB-119	PAD,6X9,2HLS,LEFT,W/BP,YEW GRN	39.19
CWPD1122LB-120	PAD,6X9,2HLS,LEFT,W/BP,DSTY JD	39.2
CWPD1122LB-121	PAD,6X9,2HLS,LEFT,W/BP,TER COT	39.21
CWPD1122LB-122	PAD,6X9,2HLS,LEFT,W/BP,PAPRIKA	39.22
CWPD1122LB-123	PAD,6X9,2HLS,LEFT,W/BP,ASH LTHR	39.23
CWPD1122LB-124	PAD,6X9,2HLS,LEFT,W/BP,CERULEAN LTH	39.24
CWPD1122LB-125	PAD,6X9,2HLS,LEFT,W/BP,CHARCOAL LTH	39.25
CWPD1122LB-126	PAD,6X9,2HLS,LEFT,W/BP,HUNTER LTHR	39.26
CWPD1122LB-127	PAD,6X9,2HLS,LEFT,W/BP,MOSS LTHR	39.27
CWPD1122LB-128	PAD,6X9,2HLS,LEFT,W/BP,SPICE LTHR	39.28
CWPD1122LB-129	PAD,6X9,2HLS,LEFT,W/BP,TOMATO LTHR	39.29
CWPD1141J-101	PAD,4X19,2HOLES,W/BP,BLACK, W/SLIP	41.01
CWPD1141J-102	PAD,4X19,2HOLES,W/BP,RYL BL, W/SLIP	41.02
CWPD1141J-103	PAD,4X19,2HOLES,W/BP,DVE GRY, W/SLI	41.03
CWPD1141J-104	PAD,4X19,2HOLES,W/BP,CROCUS, W/SLIP	41.04

CWPD1141J-105	PAD,4X19,2HOLES,W/BP,GROTTO, W/SLIP	41.05
CWPD1141J-106	PAD,4X19,2HOLES,W/BP,GRAPHITE, W/SL	41.06
CWPD1141J-107	PAD,4X19,2HOLES,W/BP,RED, W/SLIP	41.07
CWPD1141J-108	PAD,4X19,2HOLES,W/BP,CHN GRN, W/SLI	41.08
CWPD1141J-109	PAD,4X19,2HOLES,W/BP,TURQSE,W/SLIP	41.09
CWPD1141J-110	PAD,4X19,2HOLES,W/BP,RASP,W/SLIP	41.1
CWPD1141J-111	PAD,4X19,2HOLES,W/BP,PLUM, W/SLIP	41.11
CWPD1141J-112	PAD,4X19,2HOLES,W/BP,REGIMENT,W/SLI	41.12
CWPD1141J-113	PAD,4X19,2HOLES,W/BP,SPC BLUE,W/SLI	41.13
CWPD1141J-115	PAD,4X19,2HOLES,W/BP,BLK LTHR,W/SLI	41.15
CWPD1141J-116	PAD,4X19,2HOLES,W/BP,NVBL LTH,W/SLI	41.16
CWPD1141J-117	PAD,4X19,2HOLES,W/BP,PUTTY,W/SLIP	41.17
CWPD1141J-118	PAD,4X19,2HOLES,W/BP,IMPRL BL,W/SLI	41.18
CWPD1141J-119	PAD,4X19,2HOLES,W/BP,YEW GRN,W/SLIP	41.19
CWPD1141J-120	PAD,4X19,2HOLES,W/BP,DSTY JD,W/SLIP	41.2
CWPD1141J-121	PAD,4X19,2HOLES,W/BP,TER COT,W/SLIP	41.21
CWPD1141J-122	PAD,4X19,2HOLES,W/BP,PAPRIKA,W/SLIP	41.22
CWPD1141J-123	PAD,4X19,2HOLES,W/BP,ASH LTHR,W/SLI	41.23
CWPD1141J-124	PAD,4X19,2HOLES,W/BP,CERULEAN LTHR,	41.24
CWPD1141J-125	PAD,4X19,2HOLES,W/BP,CHARCOAL LTHR,	41.25
CWPD1141J-126	PAD,4X19,2HOLES,W/BP,HUNTER LTHR,W/	41.26
CWPD1141J-127	PAD,4X19,2HOLES,W/BP,MOSS LTHR,W/SL	41.27
CWPD1141J-128	PAD,4X19,2HOLES,W/BP,SPICE LTHR,W/S	41.28
CWPD1141J-129	PAD,4X19,2HOLES,W/BP,TOMATO LTHR,W/	41.29
CWPD1207B-101	PAD,5X9X14.5,4HOLES,W/BP,BLACK	42.01
CWPD1207B-102	PAD,5X9X14.5,4HOLES,W/BP,RYL BL	42.02
CWPD1207B-103	PAD,5X9X14.5,4HOLES,W/BP,DVE GRY	42.03
CWPD1207B-104	PAD,5X9X14.5,4HOLES,W/BP,CROCUS	42.04
CWPD1207B-105	PAD,5X9X14.5,4HOLES,W/BP,GROTTO	42.05
CWPD1207B-107	PAD,5X9X14.5,4HOLES,W/BP,RED	42.07
CWPD1207B-108	PAD,5X9X14.5,4HOLES,W/BP,CHN GRN	42.08
CWPD1207B-109	PAD,5X9X14.5,4HOLES,W/BP,TURQSE	42.09
CWPD1207B-111	PAD,5X9X14.5,4HOLES,W/BP,PLUM	42.11
CWPD1207B-113	PAD,5X9X14.5,4HOLES,W/BP,SPC BLUE	42.13
CWPD1207B-118	PAD,5X9X14.5,4HOLES,W/BP,IMPRL BL	42.18
CWPD1207B-119	PAD,5X9X14.5,4HOLES,W/BP,YEW GRN	42.19
CWPD1207B-120	PAD,5X9X14.5,4HOLES,W/BP,DSTY JD	42.2
CWPD1207B-121	PAD,5X9X14.5,4HOLES,W/BP,TER COT	42.21
CWPD1207B-122	PAD,5X9X14.5,4HOLES,W/BP,PAPRIKA	42.22
CWPD1207B-123	PAD,5X9X14.5,4HLS,W/BP,ASH LTHR	42.23
CWPD1207B-125	PAD,5X9X14.5,4HLS,W/BP,CHARCOAL LTH	42.25
CWPD1207B-126	PAD,5X9X14.5,4HLS,W/BP,HUNTER LTHR	42.26
CWPD1207B-127	PAD,5X9X14.5,4HLS,W/BP,MOSS LTHR	42.27
CWPD1207B-128	PAD,5X9X14.5,4HLS,W/BP,SPICE LTHR	42.28
CWPD1207B-129	PAD,5X9X14.5,4HLS,W/BP,TOMATO LTH	42.29
CWPF1016-732	BAR,,FLAT CR/HR, 3/8 X 2 X 8 1/4, 3	43
CWPF1256-731	TUBE,STEEL, RND, DOM, 2 OD X 1 ID X	44
CWSA1612-731	ASSY,CAM SHAFT PIVOT	45
CWSA2052-721	ASSY,CAM SELECTOR, WRKL BLK	46
CW30106-200	WEIGHT STACK,200 LBS,MTP-S,1187R,19	47
CWHCYN044-375	SCREW, HEX HEAD, BLK XYLAN, 7/16-	48

CWKADLN050-081	NUT, ACORN, 1/2-13	49
CWKMYN044-038	NUT, HEX, UNC, 7/16-14, BLK XYLAN	50
CWKAYN031-025	NUT,NYLOCK,HALF,5/16-18,BX	51
CWKAYN063-075	LOCKNUT, NYLON INSERT, FULL, UNC, 5	52
CWLDNN031-200	SLOTTED PIN SPRING, DIA 5/16 X 2.00	54
CWTAYN031-125	SCREW, BUTTON HEAD, BLK XYLAN, 5/16	55
CWTAYN031-100	SCREW, BUTTON HEAD, BLK XYLAN, 5/16	56
CWTAYN031-150	SCREW, BUTTON HEAD, BLK XYLAN, 5/16	57
CWTAYN031-250	SCREW, BUTTON HEAD, BLK XYLAN, 5/1	58
CWBFNN050-250	STUD, 1/2-13 X 2 1/2	59
CWWBKN031-007	WASHER, FLAT, TYPE A, SAE, 5/16 ID	60
CWWALYN031-008	WASHER, SPLIT, 5/16 ID, BL	61
CWWALYN044-011	WASHER, SPLIT, 7/16 ID, BLK XYLAN	62
CWWALYN050-013	WASHER, SPLIT, 1/2 ID, BLK XYLAN	63
CWRANN063-300	BOLT, SHOULDER, 5/8 - 11 X 3/4 X 3	64
CWRANN019-125	BOLT, SHOULDER, 10-24 X 1/4 X 1 1/4	65
CWKDYN019-023	LOCKNUT, NYLON INSERT, FULL,UNC, 10	66
CW31756-101	LABEL, PRECOR USA ICARIAN LINE	69
CW12634-101	SPRING, TORSION 90 DEG X 0.484 X 0.	72
CW31770-742	LATCH PIVOTING PIN, CLR ZN	73
CWAMNN028-003	RING, RETAINING, 2-TURN, SPIRAL, SS	74
CW31784-731	STOP PLUG, BLK ZN	76
CW33626-901	GUIDE, THIN, TELESCOPING TUBE	99
CW33626-902	GUIDE, THCK, TELESCOPING TUBE	100
CWAC1133-101	BUSHING, WEIGHT PLATE, LDPE PLASTIC	203
CW33870-102	ASSEMBLY, 5" WEIGHT STACK PIN & LEA	227
CW33870-102	ASSEMBLY, 5" WEIGHT STACK PIN & LEA	228
CW30184-901	ASSY,BARREL, TOP PLATE,ALUMINUM,SHRT	251
CW30391-721	WELDMENT, WEIGHT, TOP, MTP-S, PF118	257
CW10519-721	PLATE, WEIGHT, 20 LBS, WRKL BLK	279
CW33264-101	LABELS,WEIGHT STACK,200 LBS,20-200	399
CW33273-101	LABELS,WEIGHT STACK,280 LBS,20-280	399
CW12537-109	NUT,INSERT,THIN-NUT,LARGE FLANGE	400
CWKAYN031-025	NUT,NYLOCK,HALF,5/16-18,BX	402
CWPF2308-721	BAR, FLAT 3/16 X 1 X (26 3/8), 4 BE	403
CWPF3143-211	SHROUD,SHEET,STEEL,4 BENDS, SKY WHI	404.01
CWPF3143-221	SHROUD,SHEET,STEEL,3/32 THICK,4 BEN	404.02
CWPF3143-231	SHROUD,SHEET,STEEL,3/32 THICK,4 BEN	404.03
CWPF3143-241	SHROUD,SHEET,STEEL,3/32 THICK,4 BEN	404.04
CWPF3143-251	SHROUD,SHEET,STEEL,3/32 THICK,4 BEN	404.05
CWPF3143-261	SHROUD,SHEET,STEEL,3/32 THICK,4 BEN	404.06
CWPF3143-271	SHROUD,SHEET,STEEL,3/32 THICK,4 BEN	404.07
CWPF3143-281	SHROUD,SHEET,STEEL,3/32 THICK,4 BEN	404.08
CWPF3143-291	SHROUD,SHEET,STEEL,3/32 THICK,4 BEN	404.09
CWPF3143-311	SHROUD,SHEET,STEEL,3/32 THICK,4 BEN	404.11
CWPF3143-321	SHROUD,SHEET,STEEL,4 BENDS, TITANIU	404.12
CWPF3143-331	SHROUD,SHEET,STEEL,3/32 THICK,4 BEN	404.13
CWPF3143-341	SHROUD,SHEET,STEEL,3/32 THICK,4 BEN	404.14
CWPF3143-351	SHROUD,SHEET,STEEL,3/32 THICK,4 BEN	404.15
CWPF3143-361	SHROUD,SHEET,STEEL,3/32 THICK,4 BEN	404.16
CWPF3143-711	SHROUD,SHEET,STEEL,3/32 THICK,4 BEN	404.17

CWPF3144-721	SHROUD BRKT,PLATE,STEEL,1/8 THICK,1	405
CWTAYN031-100	SCREW, BUTTON HEAD, BLK XYLAN, 5/16	406
CWWALYN031-008	WASHER, SPLIT, 5/16 ID, BL	407
CWWBKN031-007	WASHER, FLAT, TYPE A, SAE, 5/16 ID	408
CWAC1177-101	FLOOR PROTECTOR, RUBBER, 4.563 X 4.	501